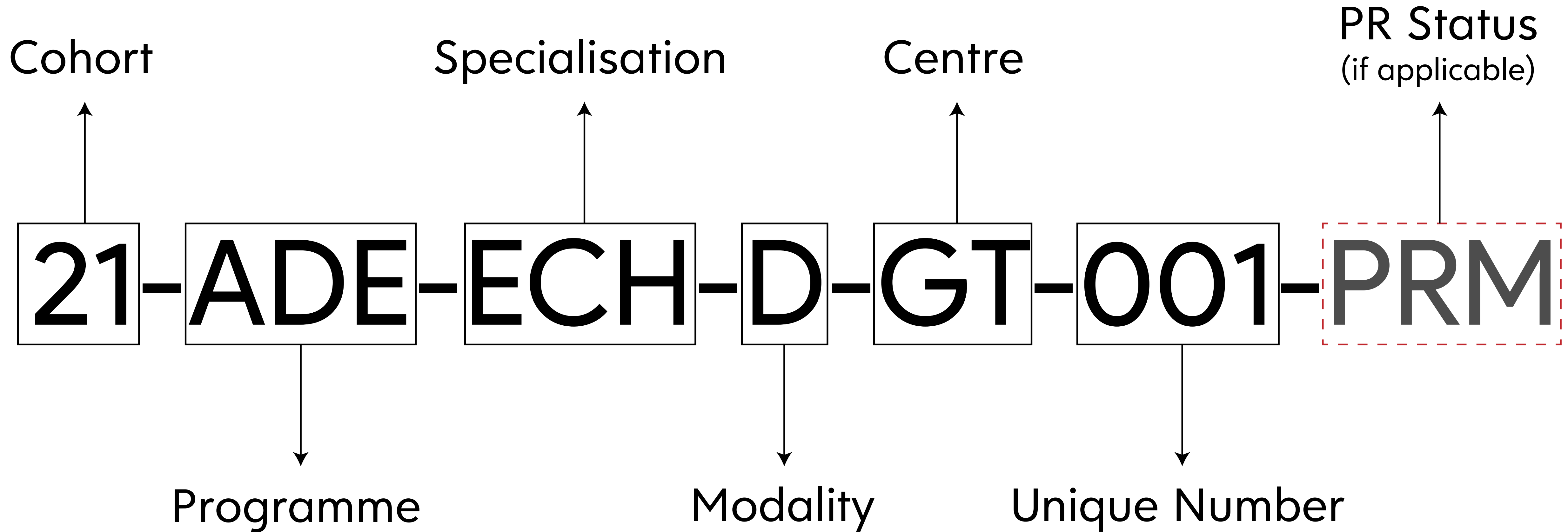
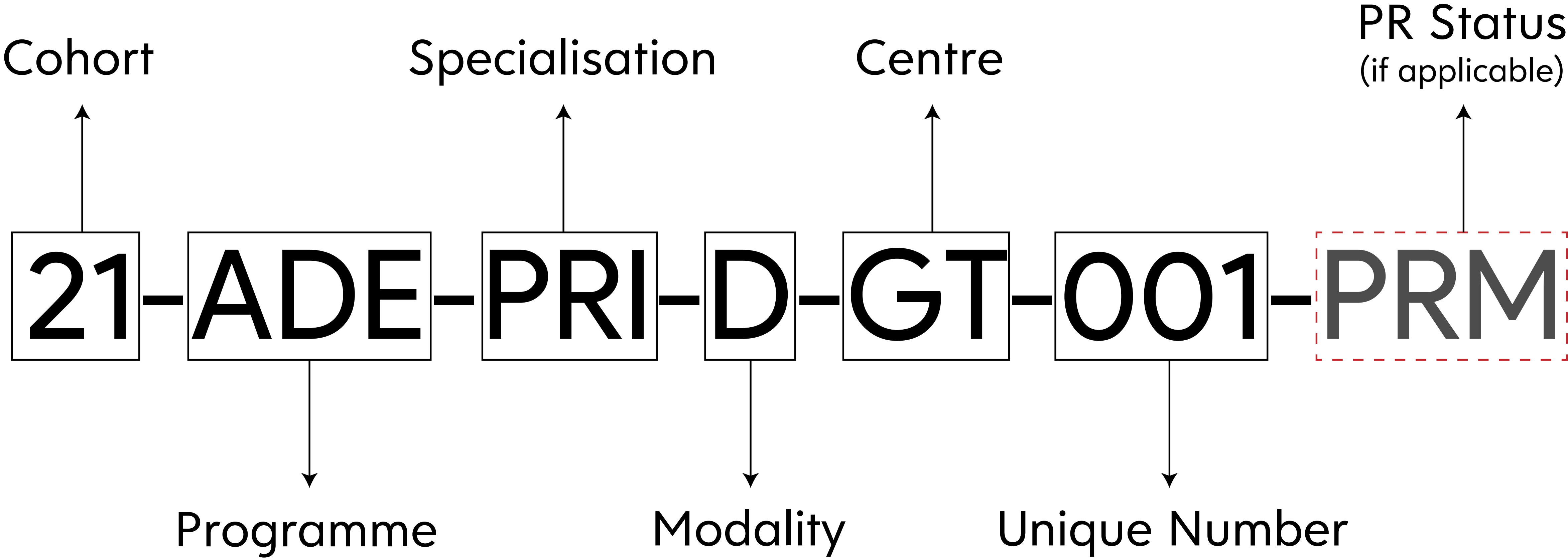


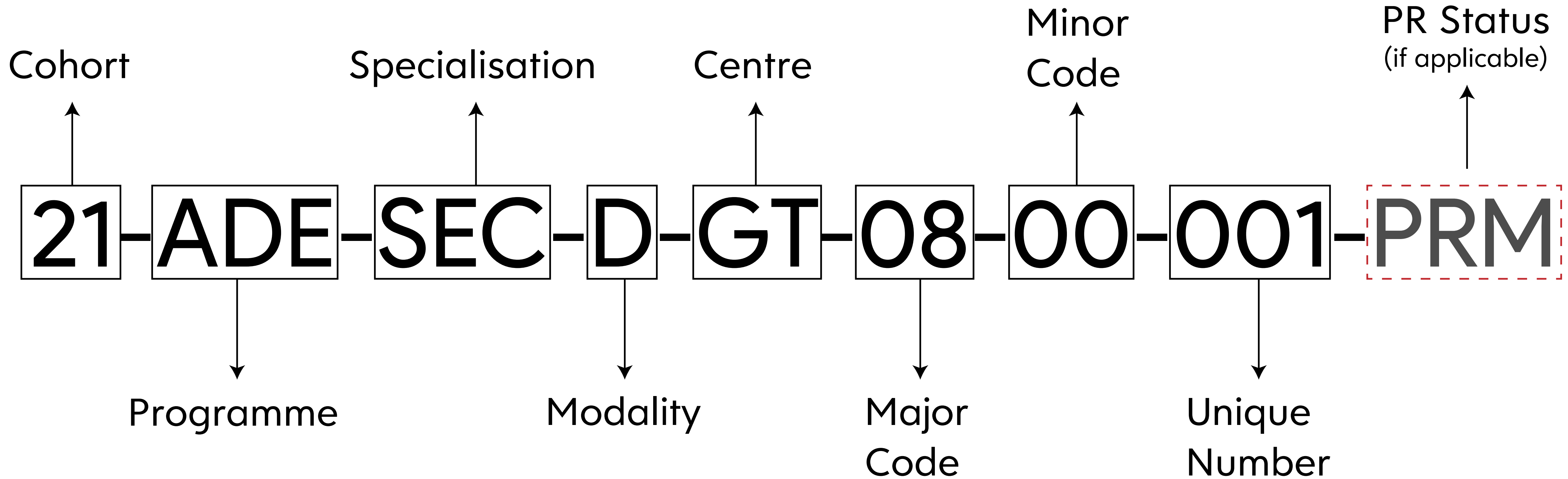
# ***ADE - EARLY CHILDHOOD***



# ***ADE - PRIMARY***



# ***ADE - SECONDARY***



# Coding System for Registration Number (Revised May 2021)

PROGRAMME	CODE	SPECIALIZATION	CODE	DISTANCE EDUCATION (IN-SERVICE)	CODE	MAJOR OPTIONS	CODE	PR STATUS	CODE
Associate Degree in Education	ADE	Early Childhood	ECH	AISHALTON	D-AH	Agricultural Science	08	English	PRE
Trained Teacher's Certificate	TTC	Primary	PRI	ANNA REGINA	D-AR	Art	17	Mathematics	PRM
Technical Teacher Education	TTE	Secondary	SEC	ANNAI	D-AN	Business Studies	07	Science	PRC
Teacher Upgrading Programme	TUP			BARTICA	D-BT	English	20	Social-Studies	PRS
		<b>MODALITY</b>	<b>CODE</b>	GEORGETOWN	D-GT	Home Economics	04		
		IN-SERVICE (Distance Education)	D	KAMARANG	D-KR	Industrial Technology	09		
		PRE-SERVICE	P	LETHEM	D-LT	Information Technology	06		
				MABARUMA	D-MR	Mathematics	21		
				MAHDIA	D-MD	Modern Language	23		
				MORUCA	D-MC	Physical Education	16		
				NEW AMSTERDAM	D-NA	Science	05		
				PARAMAKATOI	D-PM	Social-Studies	22		
				PORT KAITUMA	D-PK				
				ROSE HALL	D-RH	<b>MINOR OPTIONS</b>	<b>CODE</b>		
				ST. FRANCIS	D-SF	Agricultural Science	08		
				ST. LUST	D-SL	Art	17		
				VREED-EN-HOOP	D-VH	Business	07		
						English	20		
				<b>PRE-SERVICE</b>	<b>CODE</b>	Information Technology	06		
				ANNA REGINA	P-AR	Mathematics	21		
				LINDEN	P-LN	Modern Language	23		
				TURKEYEN	P-T01	Physical Education	16		
				<b>NB. Region # will be added to the Turkeyen Centre Students</b>		Science	05		
						Social-Studies	22		